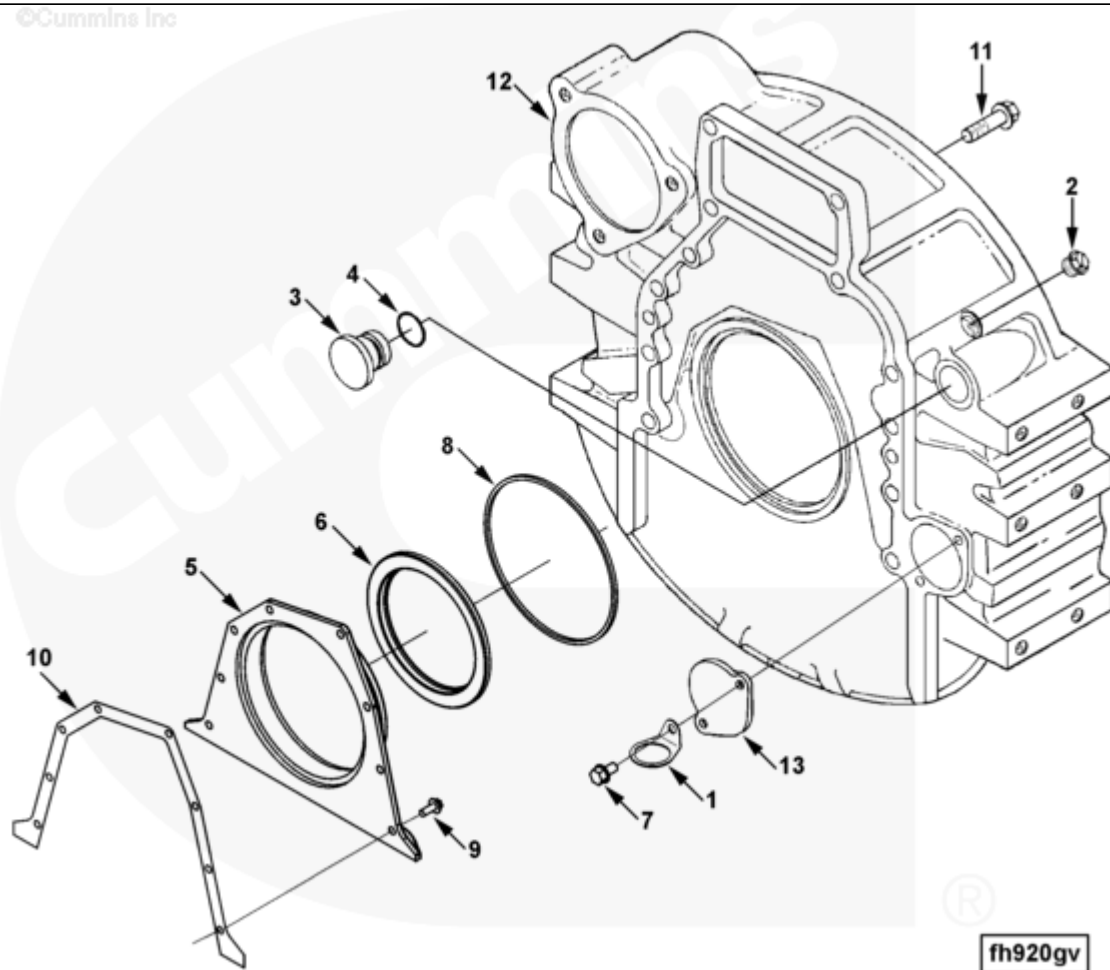




Parts Catalog - Option Detail

Electronic Parts Catalog - Option Detail				
Option	Group	Graphic	Film Card	Date
FH9296-05	16.01	fh920gv	Z	14-AUG-03
Engines	6C8.3, C GAS PLUS CM556, G8.3, G8.3 CM558, GTA8.3 CM558, ISC CM2150, ISC CM554, ISC CM850, ISC8.3 CM2250, ISC8.3 G CM2180 C101, ISL CM2150, ISL CM554, ISL CM850, ISL G CM2180, ISL8.9 CM2150 L110, ISL8.9 CM2880 L112, ISL9 CM2150 SN, ISL9 CM2250, ISL9 CM2350 L101, ISL9 CM2350 L111, ISLE4 CM850, L GAS PLUS CM556, L8.9, L8.9 L121, L8.9G CMOH2.0 L125B, L9 CM2350 L116B, L9 CM2350 L119B, L9 CM2350 L120C, L9 CM2350 L123B, L9.3 L105, L9.5 L117, L9N CM2380 L124B, QSC8.3 CM2250, QSC8.3 CM2880 C102, QSC8.3 CM554, QSC8.3 CM850(CM2850), QSL9 CM2250, QSL9 CM2250 L115, QSL9 CM2350 L102, QSL9 CM2350 L107, QSL9 CM2350 L118, QSL9 CM2350 L122, QSL9 CM554, QSL9 CM850(CM2850), QSL9 G CM558, QSL9 M CM2250 L106, QSL9.3 CM2880 L113			



SMALL | MEDIUM | LARGE

Cart	Ref No	Part Number	Part Description	Required	Remarks
View My Cart					
		FH9296-05	Flywheel Housing		

					Wet/Dry Clutch: Dry
					Housing Material: Aluminum
					SAE size or type: SAE 3
					Starter Mount SAE: SAE #3 -
					3 bolt 120 degree
					ST Quadrant: 1 ST
					Starter Pad Offset from Rear
					Face of Block (mm): 0.00
					Starter Mounting Hole
					Diameter (mm): 92.05
					Mount Type: Pad
					Engine Mounting Hole
					Dimension: M12 x1.75-6 H
					No. Mount Holes: 12
					Engine Mount Top Hole +/- CR
					Centerline (mm): 82.56
					Speed Sensor Location: 4 TH
					Tachometer size: (2)x 20 x
					1.0mm
					Tachometer count: 1
					Trans MT Holes Count/Thread:
					12 - M10 x 1.50 6 H
					Starter Bore Angle (deg): 49
					Starter Center Distance:
					222.758
					Engine Family: "C" Series.
<input type="checkbox"/>	1	3928989	Clip	1	
<input type="checkbox"/>	2	3904181	Threaded Plug	1	3/4 - 16 UNF
<input type="checkbox"/>	3	3910248	O-Ring Plug	1	
<input type="checkbox"/>	4	3910260	O-Ring Seal	1	

<input type="checkbox"/>		3357700	Rear Cover	1	
<input type="checkbox"/>	5	3933384	Rear Cover	1	
<input type="checkbox"/>	6	3970548	Oil Seal	1	
<input type="checkbox"/>	7	3912072	Self Tapping Metal Screw	2	M8 x 1.25 x 15
<input type="checkbox"/>	8	3912473	Rectangular Ring Seal	1	
<input type="checkbox"/>	9	3991306	Hexagon Flange Head Cap Screw	8	M8 x 1.25 x 15
<input type="checkbox"/>	10	3939353	Rear Cover Gasket	1	
<input type="checkbox"/>	11	3920447	Hexagon Flange Head Cap Screw	12	M12 X 1.75 X 40.
<input type="checkbox"/>	12	4079036	Flywheel Housing	1	
<input type="checkbox"/>	13	3925234	Cover Plate	1	

© 2019 Cummins Inc., Box 3005, Columbus, IN 47202-3005 U.S.A.
Terms of Use and Disclaimers | Recommended System Requirements
Need Assistance? Please click on the Contact Us button in the top right corner of any page.